



Drier Type Ice

ICE QUEEN 100 C / 200 C / 300 C



IQ 100 C



IQ 200 C



IQ 300 C

Daily Ice Production	95 Lbs. / 43 Kg.	220 Lbs. / 100 Kg.	360 Lbs. / 163 Kg.
Ice Storage	31 Lbs. / 14 Kg.	44 Lbs. / 20 Kg.	132 Lbs. / 60 Kg.

Standard Features

FLAKE ICE: Humidity 50-60%. The best ice for so many applications.



SEAFOOD: Supermarkets, Fisheries, Fish Shops, Seafood Restaurants, Boating, Marinas.



HEALTHCARE & RESEARCH: Hospitals, Laboratories, Universities.



SPORTS: Football, Basketball, Baseball, Athletics, Swimming, Soccer, Track & Field, Traumas, Pre and Post Training, Spas, Sports Medical Facilities.
Rest + Ice + Compression + Elevation First Aid Method.



DRINKS: Soft drinks, Smoothies. I love to chew my ITV's flake ice!



STRONG MECHANICS: ITV's unique mechanic design is simple, strong and reliable. It will give a longer life to your flaker, and shorten service times and costs. Oversized gearbox. Patented Auger design for greater longevity of the ice maker.



SECURITY CONTROLS: The machine is protected to avoid failures caused by gearbox motor temperature, water level, or ice level, besides a defrost time delay.



ELECTROMECHANICAL CONTROLS: The machine works with electromechanical timer and thermostats. Simple, easy to comprehend and service. High reliability and low maintenance expense.



EASY ACCESS FOR SERVICE AND INSTALLATION: Designed to have better access to all components making installation and servicing operations easier. One person can disassemble the entire machine with a basic screwdriver.



OPERATING LIMITS: Tropicalized machines (Class T); Suitable for low temperature environments of 41° (5°C) Air and Water and high temperature environments of 109°F (43°C) (Air), 95°F (35°C) (Water) Water pressure: Min. 10 psi. (0.7 bar.)/ Max. 85 psi. (6 bar.).
NOTE: Install a pressure reducer if water inlet pressure is more than 85 psi. (6 bar.).



ELECTRICAL SPECIFICATIONS: 115V/60Hz./1 - Fuse Size 15-20 - Nema Plug Type 5-15P. Also available 220V/50Hz. (Special Order Only)



WARRANTY: 24 months parts and labor + 12 additional months parts on compressor + 36 additional months parts on Auger. Valid in the U.S. and Canada. Contact ITV for warranty in other countries.

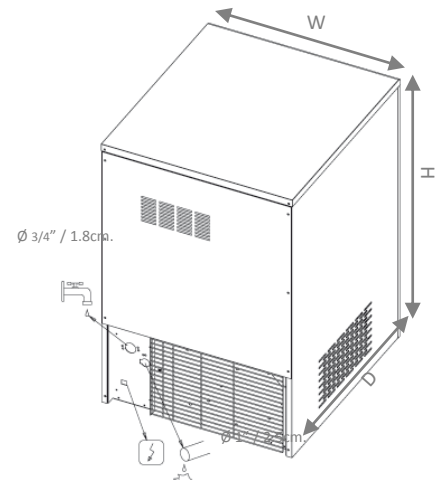
ICE QUEEN 100 C / 200 C / 300 C SELF CONTAINED FLAKE ICE MACHINES

ICE QUEEN 100 C / 200 C / 300 C

Dimensions (Inch./Cm.)

IQ	W	D	H
IQ 100 C	16" / 40 cm.	20 1/4" / 52 cm.	29 1/2" / 75 cm.
IQ 200 C	18 1/4" / 47 cm.	23 3/8" / 60 cm.	31 1/4" / 80 cm.
IQ 300 C	20 1/4" / 52 cm.	21 3/4" / 55 cm.	53 3/8" / 136 cm.

*Dimensions do not include adjustable legs from 4" (10.2 cm.) to 6" (15.2 cm.)



4" to 6" / 10.2 cm. to 15.2 cm. Leveling Legs
Drain Height 5.5" / 13.7 cm.

General Specifications

IQ SERIES	Production				Storage Lbs./ Kg.	Water Usage gal./hr. / l./ hr. 90°F/70°F	Voltage	Amps.	R404A* oz.	Net Weight Lbs./ Kg.	Filtration Kit
	70°F Air/50°F Water		90°F Air/70°F Water								
	Lbs./ 24 h.	Kg./ 24 h.	Lbs./ 24 h.	Kg./ 24 h.							
10204 IQ 100 C A	95	43	80	36	31/14	0.5/1.8	115V/60Hz/1	4	6.35	79/36	CS-101 K
10205 IQ 100 C W	100	45	85	39	31/14		115V/60Hz/1	4	-	79/36	
10214 IQ 200 C A	220	100	140	64	44/20	1.1/4.2	115V/60Hz/1	5.5	10.06	128/58	CS-101 K
10215 IQ 200 C W	225	102	145	66	44/20		115V/60Hz/1	5	7.77	128/58	
10104 IQ 300 C A	360	163	260	118	132/60	1.8/6.8	115V/60Hz/1	7	12.36	165/75	CS-111 K
10105 IQ 300 C W	365	166	265	120	132/60		115V/60Hz/1	6.5	13.41	165/75	

A: Air—Cooled / W: Water—Cooled/ Due to our continuous efforts for improving and developing our range of products, ITV Ice Makers, Inc. reserves the right of changing features with no previous notice. *IQ 100 C uses refrigerant R-134 A.

•Water cooled units available special order only, restrictions may apply. Please contact your dealer for details.

Shipping Weight: IQ 100 C: 102 Lbs. (46 Kg.) / IQ 200 C: 135 Lbs. (61 Kg.) / IQ 300 C: 218.3 Lbs. (99 Kg.)

Ice Shape



Drier Type Ice with "Coarse/Chip" Style



ICE QUEEN Flakes