



QuietQube® i-2176C Remote Ice Cube Machine

Air-Cooled Ice Cube Machine with Patented CVD Technology®

Model

- ID-2176C
 IY-2176C



ID-2176C Ice Cube Machine - 115V



ICVD Condensing Unit 208V



ID-2176C Ice Machine on a B-970 Bin

Two ID-2176C Ice Machines on a F-1650 Bin

QuietQube Series Remote System consists of a remote condensing unit, interconnecting refrigerant lines, ice machine head section along with an ice storage bin, countertop dispenser, or floor dispenser. All ordered separately. QuietQube ice machine with CVD condensing unit is designed as a Manitowoc system and cannot be used with any other ice machine or remote condenser brand.

- **New Levels of Performance** – Improved ambient ice production with reductions in energy consumption.
- **Space-Saving Design** – Up to to 1951 lbs (885 kg) daily ice production and only 30" (76.20 cm) wide.
- **Quiet Operation** - eliminates most noise from the refrigeration system. Promotes a relaxing atmosphere.
- **Intelligent Diagnostics** – provide 24 hour preventative maintenance and diagnostic feedback for trouble free operation.
- **Acoustical Ice Sensing Probe** – for reliable operation in challenging water conditions.
- **EasyRead Display** – communicates operating status, cleaning reminders, and asset information through a blue illuminated display.
- **Programmable Ice Production** – by On/Off Time, Ice Volume or Bin Level (with accessory bin level control) further improves energy efficiency and savings.
- **Easy to Clean Foodzone** – Removable water-trough, distribution tube, splash shield, and sensing probes for fast and efficient cleaning. Select components made with AlphaSan® antimicrobial.
- **DuraTech™ Exterior** – provides superior corrosion resistance. Stainless finish with innovative clear-coat resists fingerprints and dirt.
- Available **LuminIce™ Growth Inhibitor** controls the growth of bacteria and yeast within the foodzone.

COMMERCIAL WARRANTY		
ICE MAKER	EVAPORATOR	COMPRESSOR
3	5	5
YEAR	YEAR	YEAR PARTS
PARTS AND LABOR		3 YEAR LABOR

Ice Shape



Half Dice
 $\frac{3}{8}$ " x $1\frac{1}{8}$ " x $\frac{7}{8}$ "
 (.95 x 2.86 x 2.22 cm)

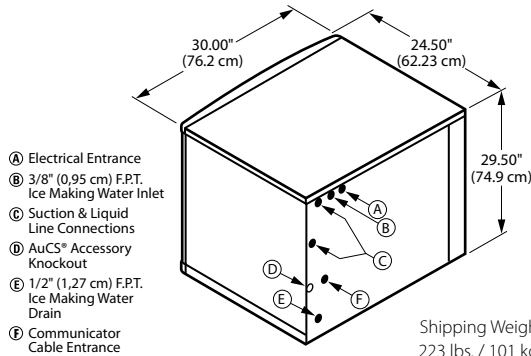


Dice
 $\frac{7}{8}$ " x $\frac{7}{8}$ " x $\frac{7}{8}$ "
 (2.22 x 2.22 x 2.22 cm)





i-2176C Ice Machine



Specifications

Operating Limits:

- Ambient Temperature Range: 35° to 110°F (1.7° to 43.3°C)
- Water Temperature Range: 35° to 90°F (1.7° to 32.2°C)
- Water Pressure Ice Maker Water In: Min. 20 psi (137.9 kPa) Max. 80 psi (551.1 kPa)

Ice Machine Electric

115/60/1 standard. (230/50/1 also available, consult factory.)
Total Amps: 1.1
Max. fuse size: 15 amps
 HACR-type circuit breakers can be used in place of fuses.

Remote Air-cooled Ice Machine

Model	Ice Shape	Ice Production 24 Hours		Power kWh/100 lbs @ 90°/70°F*
		70°Air/50°F Water	90°Air/70°F Water*	
ID-2176C	dice	1,919 lbs	1,613 lbs	4.53
		870 kg	750 kg	
IY-2176C	half-dice	1,951 lbs	1,691 lbs	4.62
		885 kg	767 kg	
Water usage/100 lbs./45.4 kgs. of Ice				
Potable Water*: 17.4 gallons, 66 liters				



*Ratings Certified in Accordance with AHRI Standard 810.

Ice machine for use with ice storage bin or ice dispenser and CVD condensing unit all ordered separately.

kWh per 100 lbs. is total power of ice machine and condensing unit. Ice machine is 1 ph only. Condensing unit is 1 ph or 3 ph.

Accessories

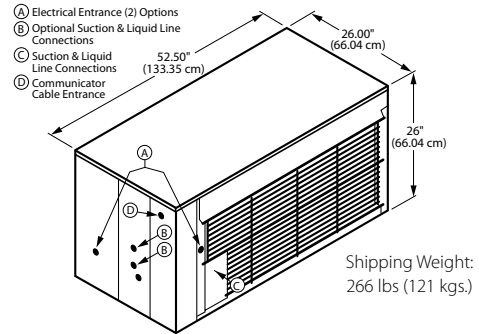
LuminIce™ Growth Inhibitor reduces yeast and bacteria growth for a cleaner ice machine.



AuCS® Automatic Cleaning System purchased as an option and installed in the field.



iCVD-2096 Remote Condensing Unit



Condensing Unit Electric

208-230/60/1 standard. 208-230/60/3 also available.
 HACR-type circuit breakers can be used in place of fuses.
Note: QuietQube ice machine power supply is wired independent of CVD condensing unit.

Min. circuit ampacity 40 1ph / 30 3ph

Max. fuse size: 50 amps 1ph / 30 amps 3ph

HACR-type circuit breakers can be used in place of fuses.

Operating Limits:

- Ambient Temperature Range: -20° to 130°F (-29° to 54°C)

BTU Per Hour: 31,500 (average) 35,500 (peak)

Compressor: Nominal rating: 3.5 HP

Installation Information and Dimensions:

Maximum Line Length

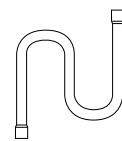
—100' (30.5 m)*

Maximum Vertical Rise*

—35' (10.7 m) above ice machine.

Maximum Vertical Drop

—15' (4.5 m) below ice machine.



*A rise over 20' (6 m) requires S-Trap Kit K-00166 - ordered separately.

Standard Interconnecting Tubing with Required Communication Wire*

Communication wire comes with each of the following line sets

Model	Line Length		Weight	
	ft.	m.	lbs.	kgs.
RC-28	20	6.2	17	8
RC-38	30	9.2	25	11
RC-58	50	15.2	39	18

*When using a non-Manitowoc line-set, a 186A 5-conductor communication cable must be installed between the head and condenser sections.