



Model E-DEV700SG-30 with SmartCART 75

Easy, safe to use!

No motors or augers

A better way to remove and transport ice!



Ice flows smoothly through chute into Totes when chute door is opened

Elevated, chuted ice storage bin and cart systems use gravity to load ice into cart. Exceptional labor-savings, sanitation and safety for foodservice operations using cube and Chewblet® ice. (Not recommended for flake ice.)

Each model includes full stainless exterior bin and base, rotomolded polyethylene SmartCART™ with 3 poly Totes™, stainless steel top cut for icemaker to be used, probe and rake tool set.

Two capacities to meet varied needs

- Space-saving 762mm (30") width – 209kg (460 lbs) or 308kg (680 lbs) storage capacity

Labor-saving ice removal

- Ice flows smoothly through chute into Totes when chute door is opened
- Eliminates need to shovel or scoop ice from bin
- Reduces ice removal time by up to 75%

Faster, safer ice transport

- Slim, 547mm (21.5") wide cart safely moves 34kg (75 lbs) of ice through narrow aisles (other cart sizes available)
- Oversized back wheels allow easy rolling over safety mats and uneven floors

Safe, sanitary, easy ice distribution

- Rugged poly Totes limit lifted weight to 11kg (25 lbs) for safer ice delivery
- Rectangular design facilitates pouring into beverage dispensers, wait stations and ice wells
- Dedicated-use Totes deliver more sanitary ice
- Hinged lid protects ice during transport

Convenient, safer SmartGATE™ access

- First ice in is first ice out
- Provides positive control of ice flow into access door area
- SmartGATE slots allow safer breaking of ice bridges through gate, reduce spillage
- Locks open in 3 positions
- Returns easily to full down position even when bin is full

Durable polyethylene lift doors with PowerHinge

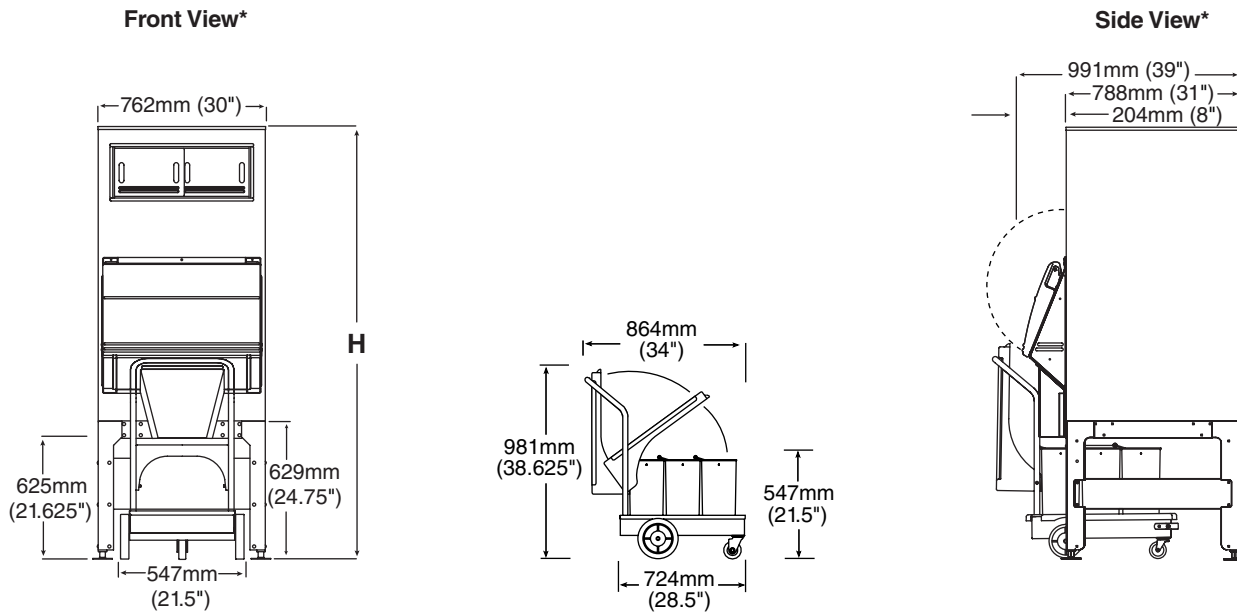
- Doors stay safely open – no door catches
- No sharp corners to injure workers
- Molded-in gasket never needs replacing
- Easy one-hand open and close

Non-corroding poly liners

- Eliminates pitting, corrosion, staining from released chlorine
- Makes cleaning easy

Optional Accessories (refer to form# 3435)

- Additional cart and Totes



* Shown with SmartCART 75

General Notes

Follett recommends installation of a floor drain with grate with all ice storage bins. Consider cart positioning when locating the drain. Clearance required to pull cart from below bin — minimum 661mm (26"), optimal 1016mm (40").

Model Number	Cubic Volume m (cu ft)	Max. Bin Capacity kg (lb) ¹	Width mm (in)	Height mm (in)	Req'd Door Access mm (in) ²	Approx. Ship Weight kg (lb)
E-DEV500SG-30-75	.41 (14.8)	209 (460)	762 (30)	1570 (62.0)	788 (31)	136 (299)
E-DEV700SG-30-75	.61 (21.7)	308 (680)	762 (30)	1969 (77.5)	788 (31)	146 (321)

Notes:

- 1 Computed on cubic volume of bin. Does not reflect cart capacity or voids that can occur due to pyramiding.
- 2 Required clearance for installation access through doors (may require removal of door assembly).

Warranty

- The cabinet exterior, including top and trim, and the interior liner will be free of corrosion for five years from the date of installation.
- Doors, inspection windows, ice gates, and all other integral components are covered against defects in material or workmanship for five years from date of installation. Installation date shall not exceed 90 days from date of shipment.
- Ice transport carts, scoops, paddles, shovels, rakes and other accessories are covered against defects in material or workmanship for two years from date of installation. Installation date shall not exceed 90 days from date of shipment.

Chewblet is a registered trademark of Follett Corporation, registered in the US.

Follett reserves the right to change specifications at any time without obligation. Certifications may vary depending on country of origin.