

KMS-830MLH

SERENITY SERIES

CUBER ICE MACHINE

Item # _____

Project: _____

Qty: _____
 *AutoCad available on KCL

KMS-830MLH
 I/13
 Item # 13281

CUBER DIMENSIONS
 W x D x H

KMS-830MLH
 30 x 16^{1/2} x 29




CONDENSING UNIT DIMENSIONS
 W x D x H

Installation Dimension*
SRK-8H / SRK-8H3
 35^{11/16} x 25^{3/8} x 37
 *Dimensions include legs

Actual Dimension
SRK-8H / SRK-8H3
 33^{5/8} x 22^{1/2} x 22

KMS-830MLH
 Remote Air-Cooled
 Shown on an optional
 Lancer 30" Dispenser



- Up to 820 lbs. of ice production per 24 hours
- Ice on beverage design
- Less heat in the kitchen
- Minimized noise
- Durable stainless steel exterior
- Individual crescent cube
- Protected by H-GUARD Plus Antimicrobial Agent 
- CycleSaver® Design 
- EverCheck® alert system 
- Stainless steel evaporator
- CFC / HFC Free foam
- R-404A Refrigerant
- Not recommended for side-by-side application

Warranty

Valid in United States, Canada, Puerto Rico, & U.S. Territories. Contact factory for warranty in other countries.

- Three Year** - Parts & Labor on entire machine.
- Five Year** - Parts & Labor on: Evaporator.
- Five Year** - Parts on: Compressor, air-cooled condenser coil.



© HOSHIZAKI AMERICA, INC.

618 Hwy. 74 S., Peachtree City, GA 30269

TEL 1-800-438-6087

FAX 1-800-345-1325

www.hoshizaki.com



Hoshizaki

KMS-830MLH SERENITY SERIES

DIMENSIONS
W x D x H
KMS-830MLH
30 x 16^{1/2} x 29

Installation Dimension*
SRK-8H / SRK-8H3
35^{11/16} x 25^{3/8} x 37
*Dimensions include legs

Actual Dimension
SRK-8H / SRK-8H3
33^{5/8} x 22^{1/2} x 22

REMOTE AIR-COOLED / SRK-8H

Water Temp° F.	50°	70°	90°
Air Temp° F. 70°	820	785	737
80°	793	739	691
90°	785	700	652

REMOTE AIR-COOLED / SRK-8H3

Water Temp° F.	50°	70°	90°
Air Temp° F. 70°	791	761	711
80°	768	722	667
90°	761	690	635

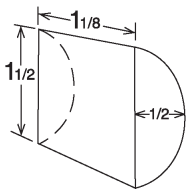
UTILITY CONSUMPTION

Model Number	Ice Production Per Cycle		KWH per 100 LBS. 90/70	Potable Water Gal. per 100 lbs. 90/70	Condenser Water Gal. per 100 lbs. 90/70
	Lbs.	Cubes			
KMS-830MLH with SRK-8H	13.6	680	5.50	16.0	N/A
KMS-830MLH with SRK-8H3	12.5	680	5.40	16.0	N/A

SPECIFICATIONS

Model Number	Condenser	Amperage	Min. Circuit Ampacity	Shipping Weight
KMS-830MLH with SRK-8H	Remote Air-Cooled	9.1	20	137 lbs.
				206 lbs.
KMS-830MLH with SRK-8H3	Remote Air-Cooled	7.5	20	137 lbs.
				206 lbs.

KM CUBE DIMENSIONS



ELECTRICAL & PLUMBING / KMS-830MLH

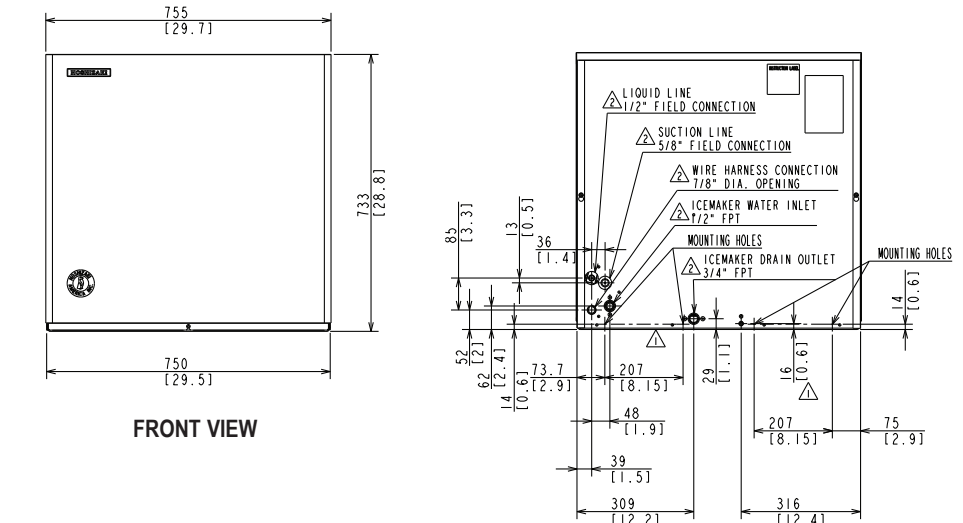
- 115V/60/1 - Voltage supply for the KMS Ice Maker is supplied from the SRK Remote Condenser
- 1/2" FPT copper or equivalent independent potable water supply
- 3/4" FPT independent drain connection

CONDENSER UNIT / SRK-8H

- 208-230/60/1 (3 wire with neutral for 115V)
- 20 amp Max Fuse/HACR Breaker Size

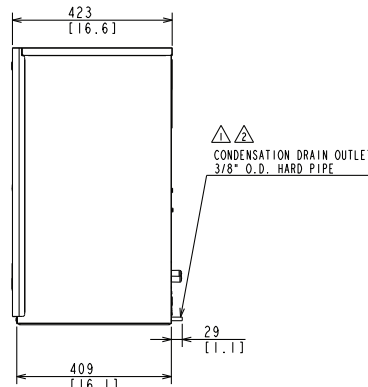
CONDENSER UNIT / SRK-8H3

- 208-230/60/3
- 20 amp Max Fuse/HACR Breaker Size

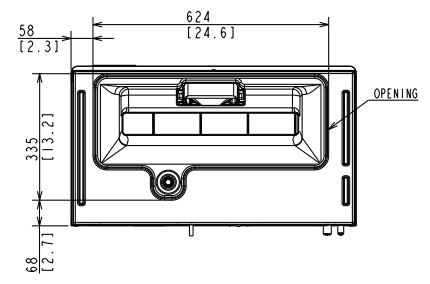


FRONT VIEW

BACK VIEW

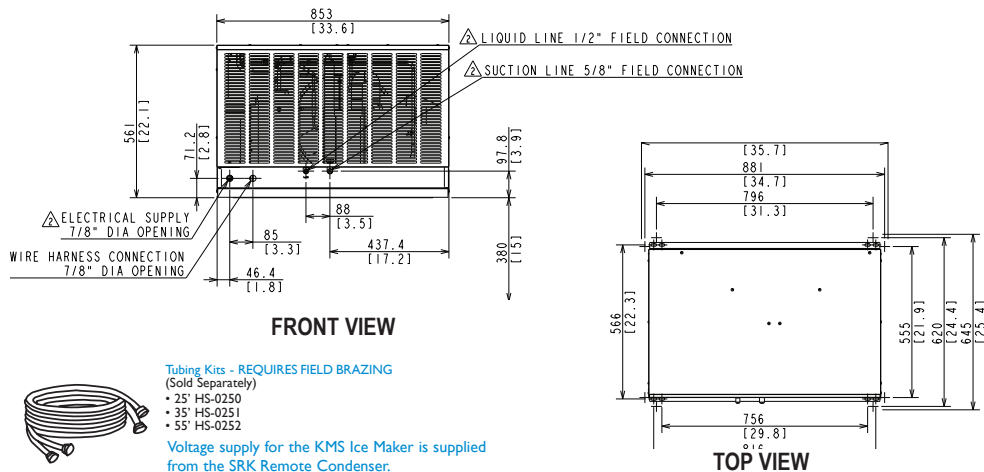


SIDE VIEW



BOTTOM VIEW

SRK-8H / SRK-8H3 Remote Condensing Unit (Sold Separately)
For Use with KMS-830MLH



FRONT VIEW

TOP VIEW



Tubing Kits - REQUIRES FIELD BRAZING (Sold Separately)

- 25' HS-0250
- 35' HS-0251
- 55' HS-0252

Voltage supply for the KMS Ice Maker is supplied from the SRK Remote Condenser.

OPERATING LIMITS

- Ambient Temp Range 45 - 100°F
- Water Temp Range 45 - 90°F
- Water Pressure 10 - 113psig
- Voltage Range 187 - 253V

SERVICE

- Panels easily removed and all components accessible for service.

CONDENSING UNIT

- Voltage Range 187 - 253V
- Ambient Temp Range -20 - 122° F



© HOSHIZAKI AMERICA, INC.

618 Hwy. 74 S., Peachtree City, GA 30269

TEL 1-800-438-6087

FAX 1-800-345-1325

www.hoshizaki.com

Printed in U.S.A.

