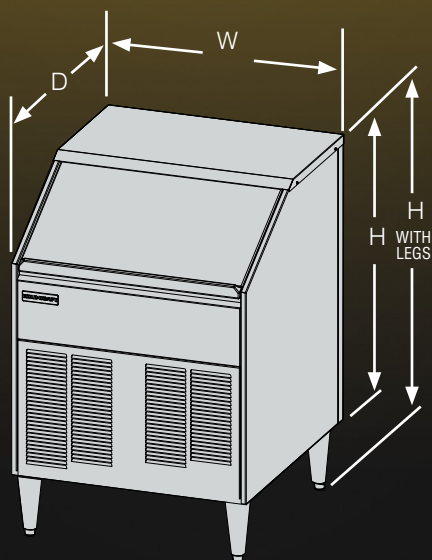




The KOLD-DRAFT SC200

- Produces up to 200 lbs. of full cube ice per day.
- Ideal for any undercounter or bar application.
- Front breathing inlet and discharge allows installation in tight spaces.
- Front access to ice. Door lifts up or slides in, so it's out of the way.
- Electroless nickel plated evaporator.
- Corrosion-resistant stainless steel exterior with plastic door and bin liner
- Stores 100 lbs. of ice.



Plumbing:

- 1/2" FIP potable water inlet
- 3/4" FIP ice bin drain
- 1/2" FIP ice maker drain
- .88" Diameter electrical connection

Exterior Finish:

Corrosion-resistant stainless steel exterior with plastic door and bin liner

Dimensions/Weight

Description	Dimensions / inches (cm)			Ship Weight
	W	D	H	
Air Cooled (without legs)	26" (66cm)	28.6" (72.6cm)	31.4" (79.8cm)	207lb (94kg)
With Legs	26" (66cm)	28.6" (72.6cm)	37.4" (100cm)	207lb (94kg)

Recommended Operating Requirements:

	MIN.	MAX.
Room Temp.	45°F (7°C)	90°F (32°C)
Water Temp.	45°F (7°C)	90°F (32°C)
Voltage 220-240	210	250
Voltage 115	104	126
Potable Water Pressure	5 PSIG (0.034 MPA)	100 PSIG (0.6 MPA)

SC200 Series Daily Capacities: Lbs. of ice per 24 hours per unit

Model Number	Electrical Volt/ Hz/Ph	Condenser	Cube Size	Ice Capacity 24 Hours lbs. (kg)		Energy Input 90° F/70° F kWh/100# (kJ/kg)	Tier	Water Use gal/100# (l/kg) 90° F/70° F		Min. Circuit Amp	Max. Fuse Size Amps
				70° F (21° C) / 50° F (10° C) Ambient/Water	90° F (32° C) / 70° F (21° C) Ambient/Water			Potable	Condenser		
SC201	115/60/1	Air Cooled	Full Cube	150 (68.04)	119 (53.98)	8.71 (691.28)	I	29.56 (2.47)	n/a	6	15
SC207	220-240/50/1	Air Cooled	Full Cube	149 (67.59)	118 (53.52)	8.25 (654.77)	I	29.34 (2.45)	n/a	3	15



Made in USA



Intertek



COMPONENT

